

CAD – Gasket Two

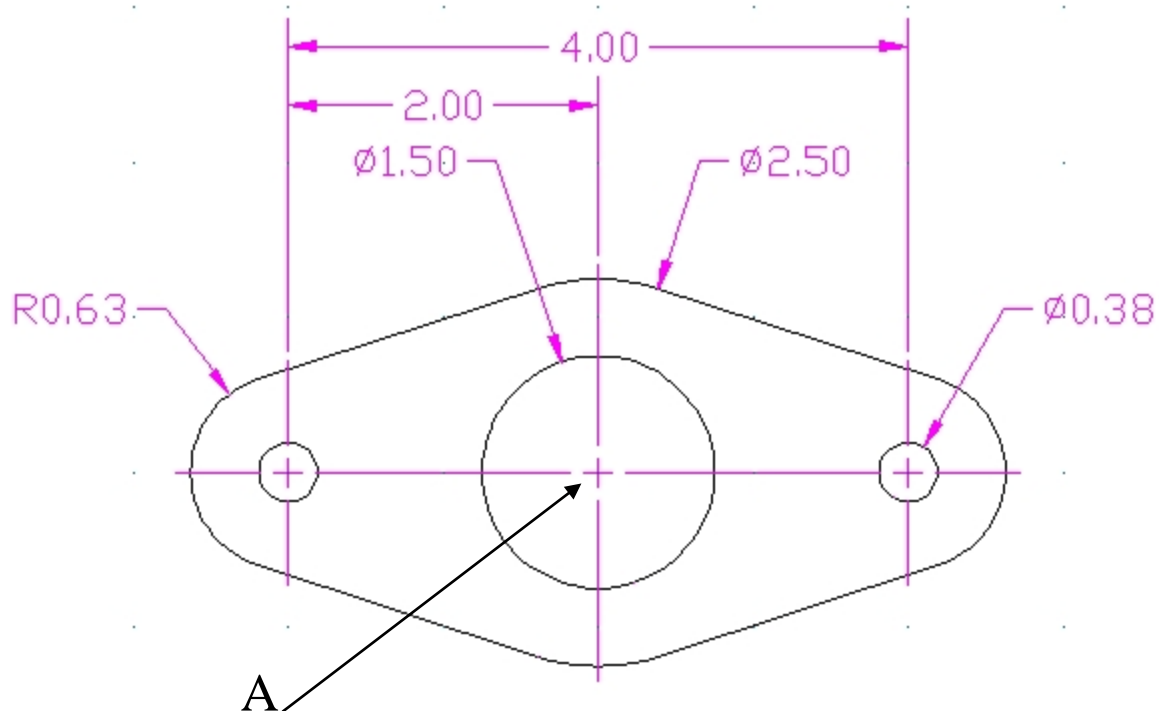
Assignment #5

Read the instructions carefully before you begin.

You need to figure out what commands to use and the order you will use them in to reproduce this drawing. Remember that this is a puzzle and you need to find the clues that will make reproducing this drawing quick and easy. The following is a list of possible commands you will use (you will use some of them more than once);

Line, circle, fillet, trim, copy, move, mirror, dimension, layer, text

Here is a hint: *Command: Line (enter) tan (enter)*



Starting with your **Imperial Border template**. Open your Imperial Border template drawing and then immediately save it as; **gasket2-name.dwg**

Begin this drawing with point "A" at 5,5. Draw the object based on the command list you have created.

When the object is finished, change the layer for the centre lines and add the center lines.

Now change layers to dimensions. Make sure your text height is .15. To find this go to the Setting drop down menu and select Dimensioning settings. Select the text tab and then change the text height to .15 if it is not

Add your dimensions. You need the following types;

Linear Radius,Diameter

Finally add text to your title block (change layers to border). You may have to change text height and scale factor to make your name, date and title fit in the spaces.

Marking

Layers correct (2)
Drawing correct (5)
Printed correctly (1)
Dimensioned correctly (2)

Mark /10