

Introduction to Arduino

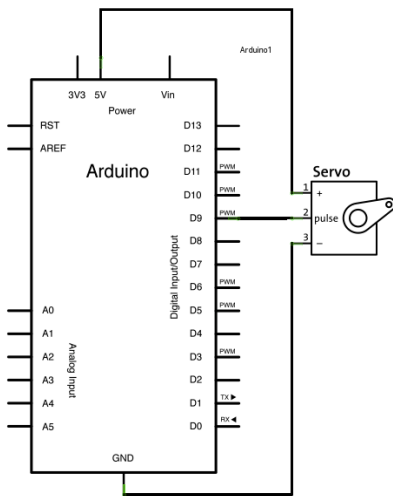
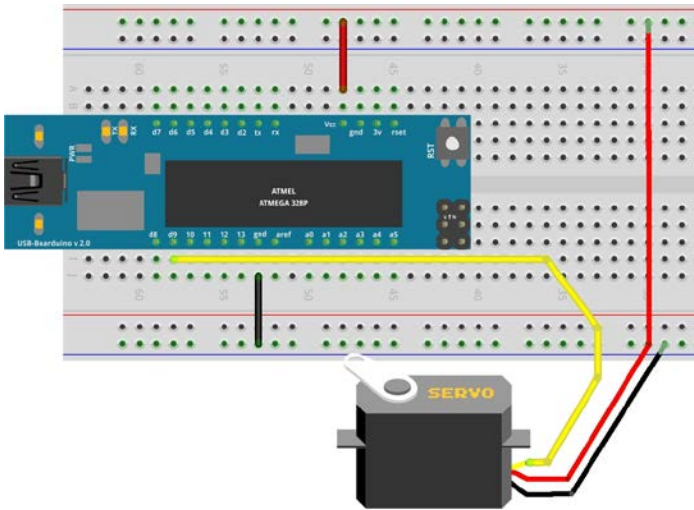
Servo Control

Name: _____

Mark /10

Note: Marks will be taken off for messy breadboarding

<http://arduino.cc/en/Tutorial/Sweep>



```
#include <Servo.h> //include the library
Servo SG90servo; //gives a name to the servo
int pos = 0; //start servo at 0 degrees

void setup()
{
  SG90servo.detach(); //disconnect servo so no power
                      // is going through it
}

void loop()
{
  SG90servo.attach(10); //attaches servo so it will work

  for(pos = 0; pos < 180; pos += 1) // goes from 0 to 180
    //degrees in 1 degree steps
  {
    SG90servo.write(pos); // tell servo to go to position 'pos'
    delay(25);
  }

  for(pos = 180; pos >= 20; pos-=1) // goes from 180 to 0 degrees
  {
    SG90servo.write(pos); // tell servo to go to position 'pos'
    delay(25);
  }
}
```

